

DT-02

Trident

Top Head Drive Piston Pump

FLOW RANGE: 0 TO 7.5 US GPM/ 25.4 LPM
10,800 GPD / 36,576 LPD

DISCHARGE PER STROKE: .125 US Gallons

MOTOR: Trident Pneumatic

STROKE: 12"

***MAXIMUM DISCHARGE PRESSURE:** 476 feet of water or 200 psig

MAXIMUM LIFT: 476 feet of water or 120 psig

MAXIMUM STROKES PER MINUTE: 60

VARIABLE SPEED (STROKE) CONTROL ADJUSTS
TO WELL CONDITIONS

LIQUID DRAW DOWN TO TOP OF STRAINER

DISCHARGE SIZE: 2" NPT

INSTALLATION: Unit can be installed vertically or horizontally

DRIVER WEIGHT: 8 lbs.

DRIVER ROD WEIGHT: 12 lbs/100'

FOOT VALVE ASSEMBLY WEIGHT: 15 lbs.

RISER PIPE: 2"

***OPERATIONAL DEPTH:** 476'

MINIMUM WELL CASING SIZE: 3"

PNEUMATIC AIR CONNECTION: 1/4" Female NPT 3/8" OD Tubing

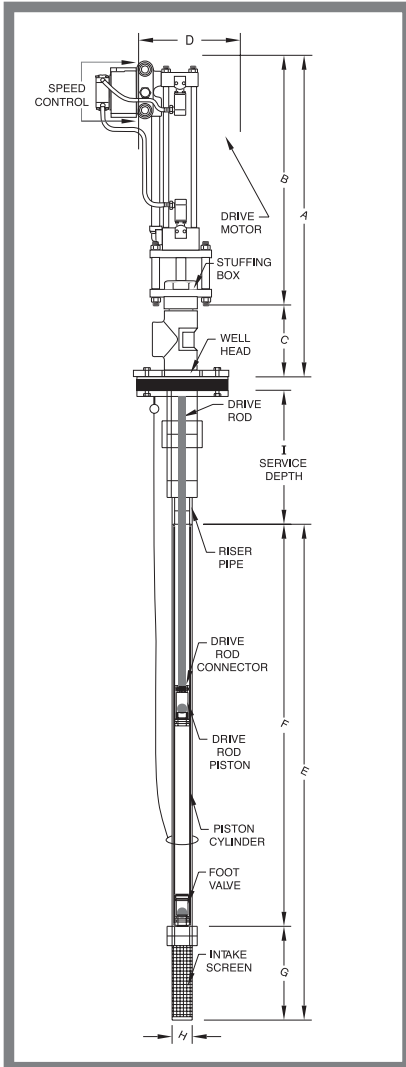
***Discharge pressure based in 120psi air supply**



BLACK HAWK
Company

Trident DT-02

Top Head Drive Piston Pump



Dimensions (in inches)

A	Above Well Height	29"
B	Driver Height	23.5"
C	Discharge Tee and Well Seal Height	5.5"
D	Driver Diameter	8"
E	Foot Valve Assembly Length	35"
F	Foot Valve Length	30"
G	Intake Screen Length	5"
H	Downhole Diameter	2.9"

Standard Materials of Construction

Above Ground

Description	Materials
Drive Motor	Stainless Steel/Aluminum
Stuffing Box Seal	Nitrile/Viton
Stuffing Box	Delrin
Discharge Tee	Stainless Steel
Well Head	PVC / ABS

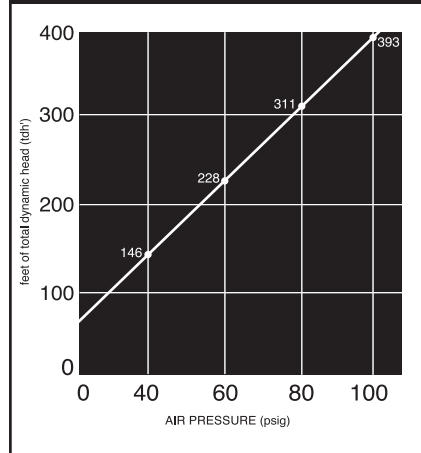
Downhole

Description	Materials
Drive Rod	Fiberglass / Stainless Steel
Drive Rod Connector	Stainless Steel
Drive Piston Seal	Viton / Nitril
Drive Piston Check Ball	Stainless Steel / Delrin
Drive Piston	Delrin
Piston Cylinder	Stainless Steel
Foot Valve Check Ball	Stainless Steel / Delrin
Foot Valve Assembly	Stainless Steel / Delrin
Intake Screen	Stainless Steel

* Note: Specifications are subject to change without notice. Materials of construction can be modified to meet application.

Trident Pneumatic Motor AIR PRESSURE REQUIREMENTS

TDH (Total Dynamic Head)



Trident Pump-Low Flow FLOW PERFORMANCE GPM

